

- 1
- 2
- 3
- 4
- 5
- 6
- 7
- 8
- 9
- 10
- 11
- 12
- 13
- 14
- 15
- 16
- 17
- 18**
- 

**MATERIAL**

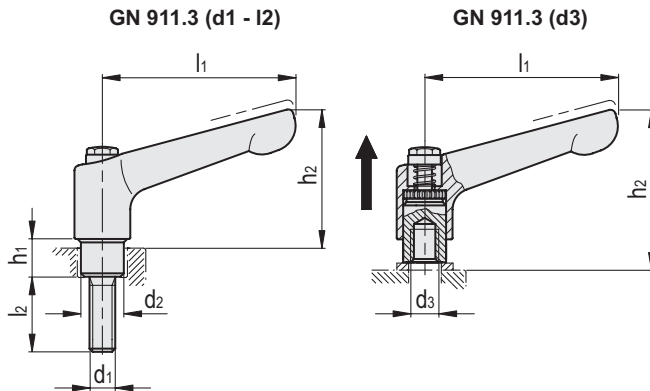
Cast CF-8 stainless steel lever, sandblasted matte finish.  
 AISI 303 stainless steel clamping element with retaining screw.  
 AISI 301 stainless steel return spring.

**STANDARD EXECUTIONS**

- **GN 911.3 (d1 - I2)**: threaded screw.
- **GN 911.3 (d3)**: threaded hole.

**FEATURES AND APPLICATIONS**

GN 911.3 clamping kit can be used as an alternative to the grub screws supplied with the different kinds of connecting clamps.  
 The correspondent clamping kit is indicated in the tables of the different clamps.



**GN 911.3 (d1 - I2)**

INOX STAINLESS STEEL

| Code     | Description          | d1  | d2 | l1 | l2 | h1 | h2 |    |
|----------|----------------------|-----|----|----|----|----|----|----|
| GN.68142 | GN 911.3-45-M6-20-GS | M 6 | 10 | 45 | 20 | 9  | 34 | 48 |
| GN.68144 | GN 911.3-63-M6-20-GS | M 6 | 10 | 63 | 20 | 12 | 44 | 98 |

**GN 911.3 (d3)**

INOX STAINLESS STEEL

| Code     | Description        | d3   | l1 | h2 |     |
|----------|--------------------|------|----|----|-----|
| GN.68147 | GN 911.3-63-M8-GS  | M 8  | 63 | 45 | 88  |
| GN.68149 | GN 911.3-78-M8-GS  | M 8  | 78 | 54 | 145 |
| GN.68148 | GN 911.3-78-M10-GS | M 10 | 78 | 54 | 142 |
| GN.68150 | GN 911.3-92-M10-GS | M 10 | 92 | 64 | 226 |

Tube connectors